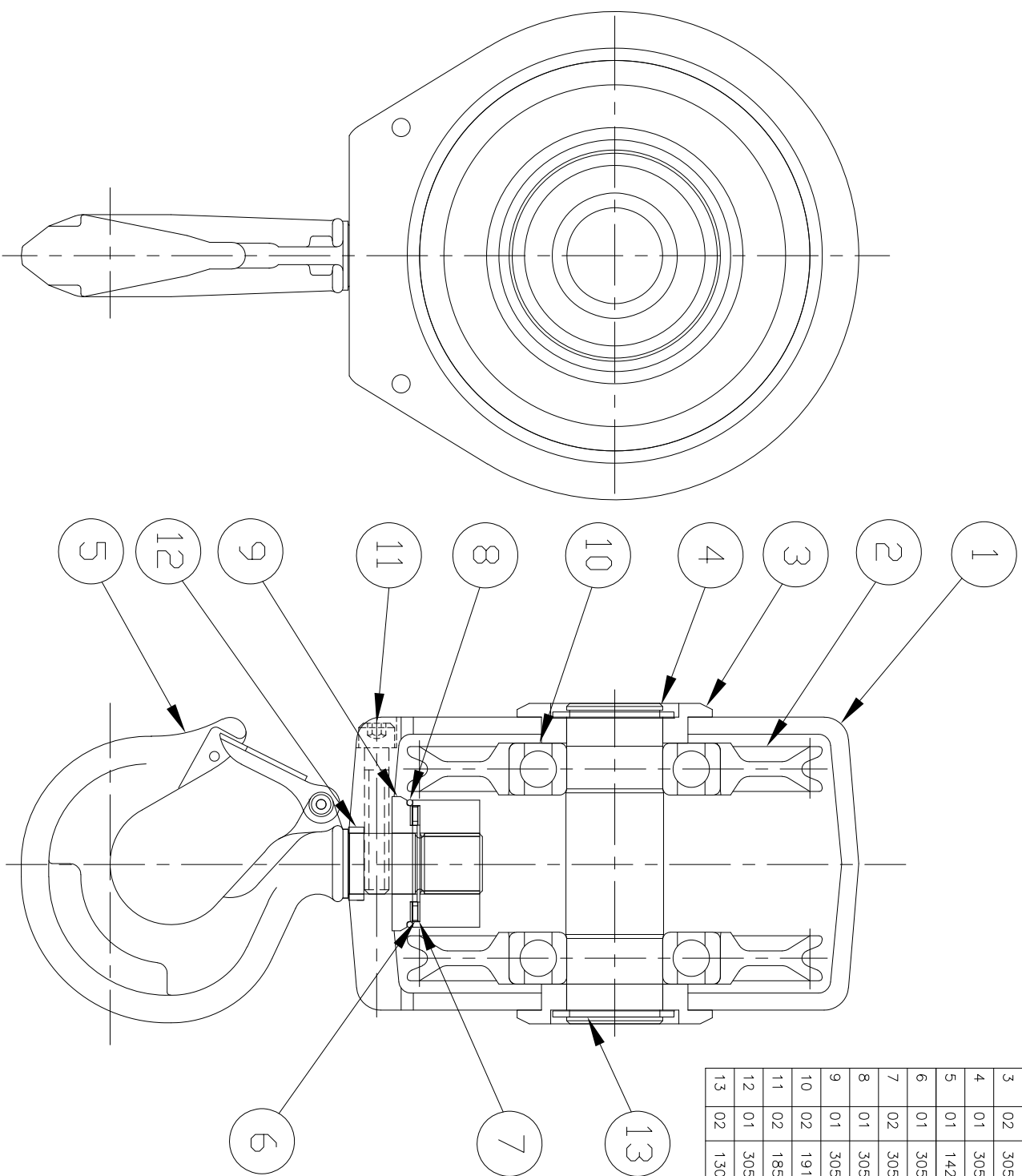


8MM and 10MM Sheaves were both used in this loadblock. Determine what sheaves you need by measuring the wire rope.



ITEM	QTY	DESCRIPTION
1	02	142-4242 L/BLOCK FRAME
2	02	132-0190 8" 10MM / 305-2045 8" 8MM SHEAVE
3	02	305-2045 L/BLOCK FLANGE
4	01	305-2060 LOAD BLOCK SHAFT LB-8S
5	01	142-4333 HOOK ASSY, 5-TON
6	01	305-0095 BEARING NEEDLE ROLLER AXK-4060
7	02	305-0100 WASHER THRUST AS-4060
8	01	305-0110 O-RING BUNA-N #142
9	01	305-2055 L/BLOCK BRG PLT / 800-0015 ZINC PLTD
10	02	191-1411 BEARING 6310-2RS
11	02	185-0200 FAST 1/2-13 X 3-1/4" LG ZINC PLTD SHCS
12	01	305-0105 BRONZE BUSHING 1.50D X 1.25ID X .5 LG
13	02	130-0101 SNAP RING HEAVY DUTY 5160-193

DETROIT HOIST & CRANE CO.

LB-5 2PD LOAD BLOCK ASSEMBLY
5 TON CAPACITY (#132-2010)

DWG NO. 132-2010-ASSY
APPROVED BY / DATE N.C / 10-21-17

SCALE 1:1 LOCATION \LOADBLOCKS\GA-DWGS\

DIM'S IN INCHES | FRACTIONS +/- 1/64 DECIMALS +/- .0025

EXCEPTIONS NOTED | GRINDING (125 MICRONS) VVV | TURN-/MILLING (250 MICRONS) VV

SCALE 1:1 LOCATION \LOADBLOCKS\GA-DWGS\